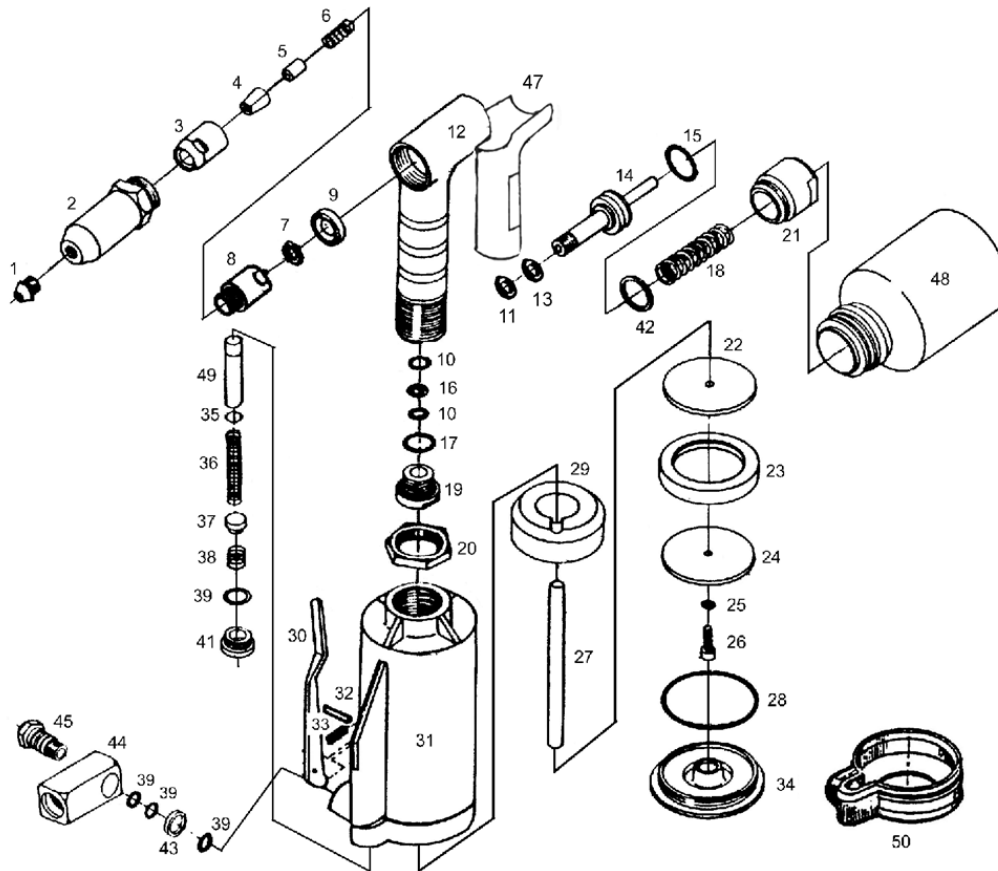


GP-0810S AIR HYDRAULIC RIVETER

www.air-allied.com.au



PARTS DESCRIPTION

<u>NO.</u>	<u>DESCRIPTION</u>
1A.	1/8" NOSEPIECE
1B.	5/32" NOSEPIECE
1C.	3/16" NOSEPIECE
02.	HEAD
03.	JAW HOUSING
04.	JAW (3)
05.	JAW PUSHER
06.	SPRING
07.	NUT
08.	JAW HOUSING COUPLER
09.	WIPER RING
10.	O-RING SEAL (2)
11.	O-RING WASHER
12.	HYDRAULIC SECTION
13.	O-RING SEAL
14.	HYDRAULIC PLUNGER
15.	O-RING SEAL
16.	O-RING WASHER
17.	O-RING SEAL
18.	HYDRAULIC RETURN SPRING
19.	HYDRAULIC ROD GUIDE
20.	LOCK NUT
21.	SCREW PLUG
22.	FRONT HEAD DISC
23.	PACKING RING
24.	REAR HEAD DISC
25.	SPRING WASHER

PARTS DESCRIPTION

26.	LOCK SCREW
27.	PLUNGER ROD
28.	O-RING SEAL
29.	DAMPING RING
30.	TRIGGER ARM
31.	AIR CYLINDER BODY
32.	ROLL PIN
33.	SPRING
34.	AIR CYLINDER CAP
35.	O-RING VALVE TUBE
36.	VALVE SPRING
37.	VALVE PLATE
38.	VALVE PRESSURE SPRING
39.	O-RING SEAL (4)
40.	WRENCH
41.	SCREW PLUG
42.	O-RING WASHER
43.	SEALING WASHER
44.	1/4" AIR INLET-F (STANDARD)
45.	AIR INLET PLUG
47.	HAND GRIP
47A.	RUBBER HAND GRIP
48.	PLASTIC BOTTLE
48A.	14MM WRENCH (2)
49.	VALVE TUBE
50.	RUBBER CUSHION